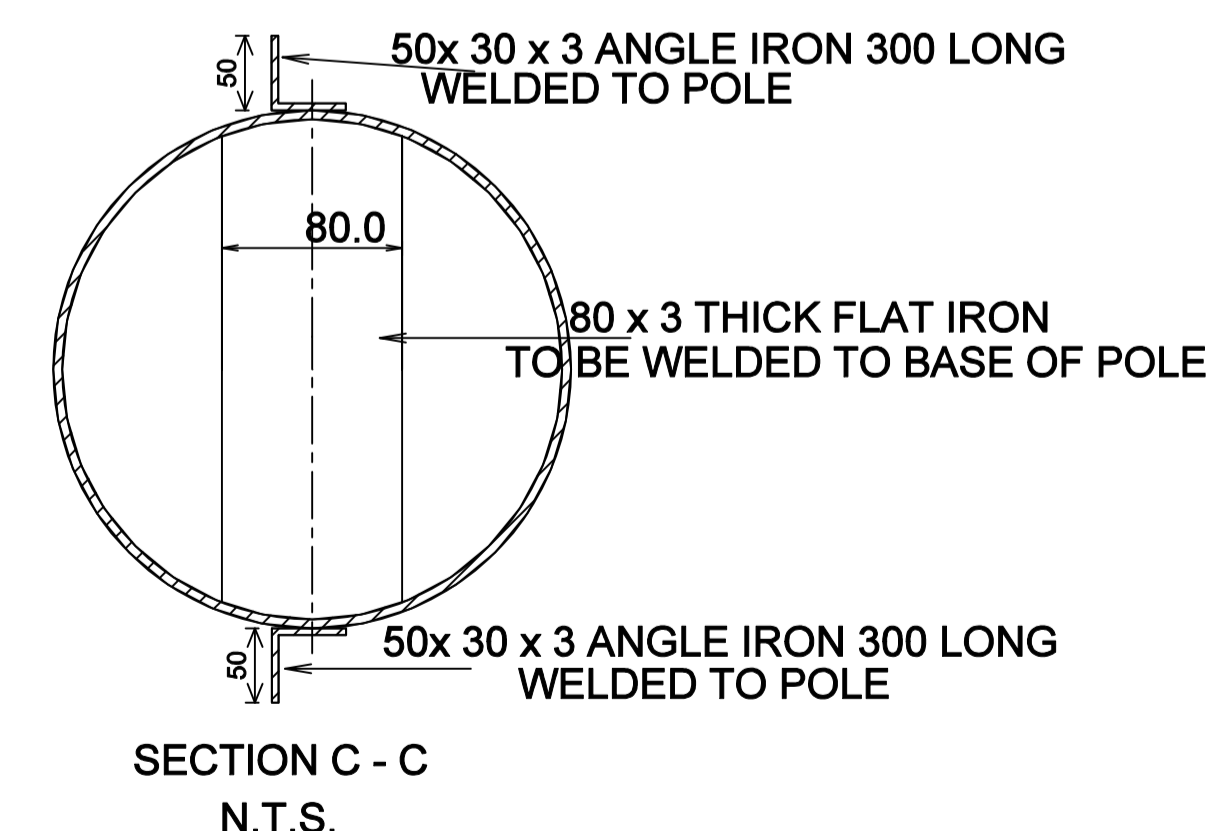
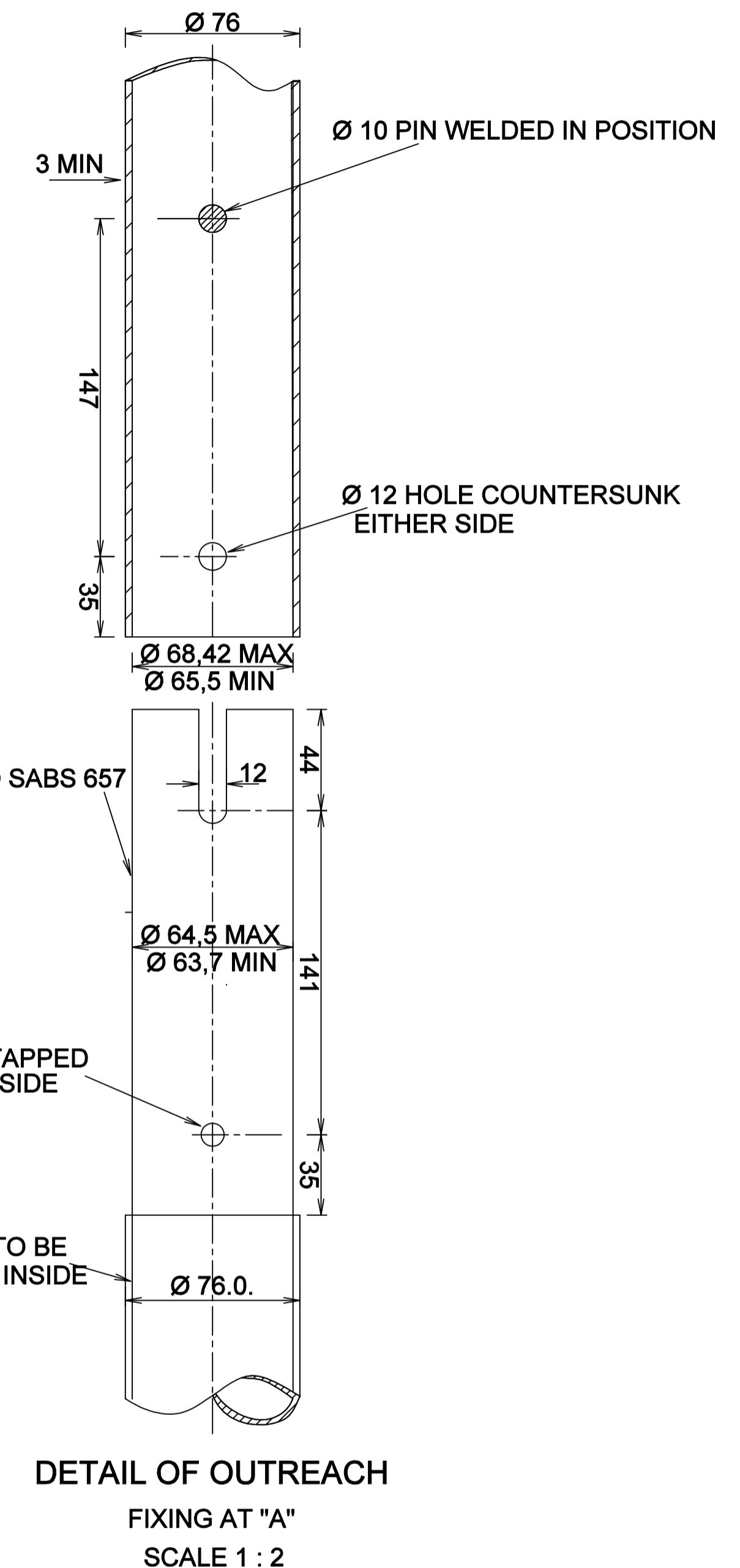
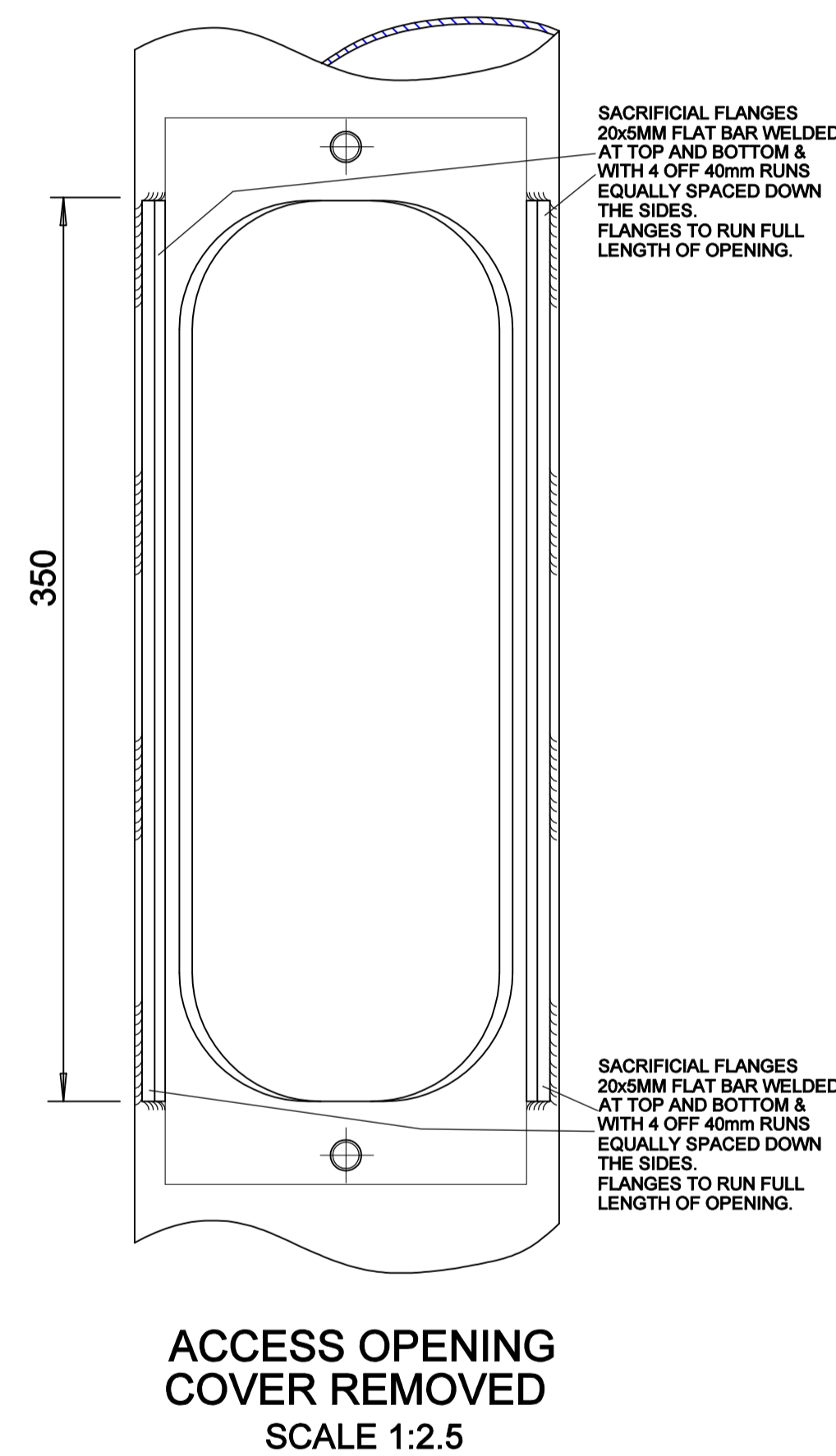
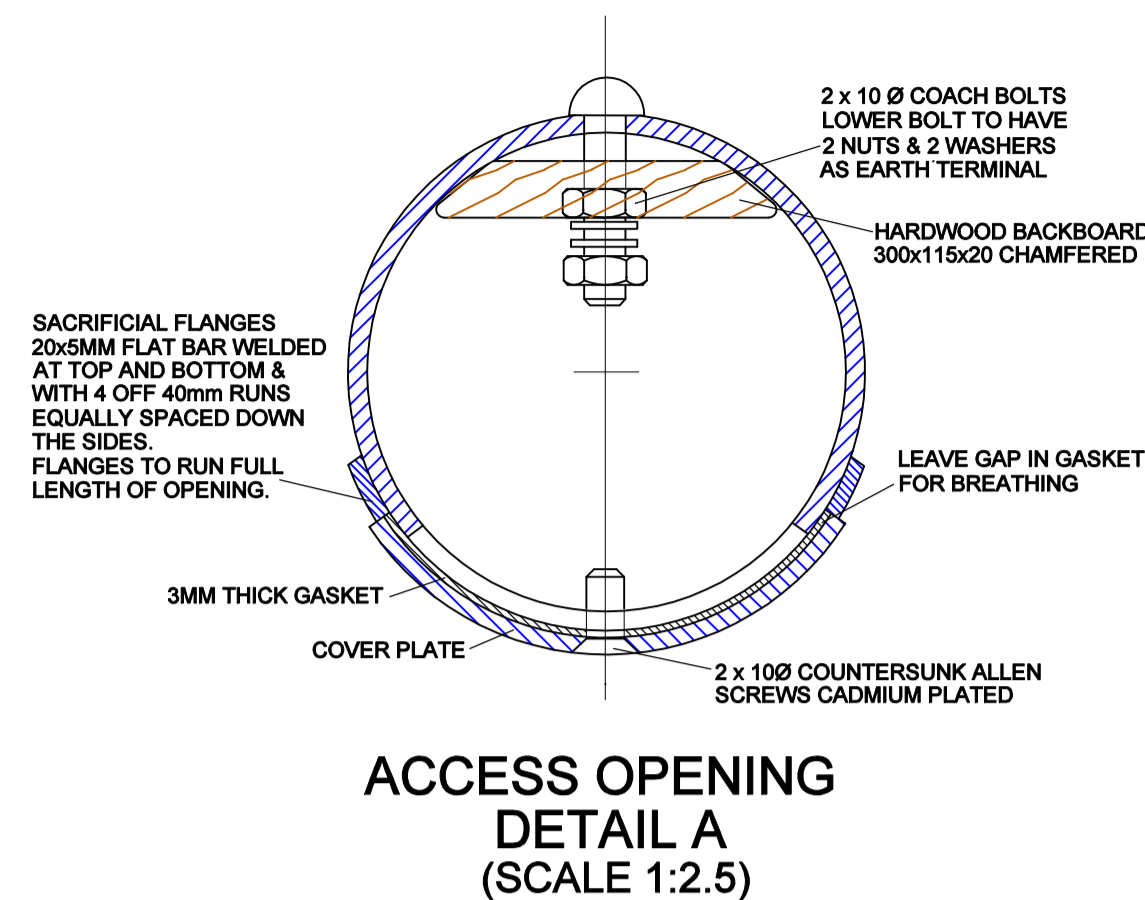
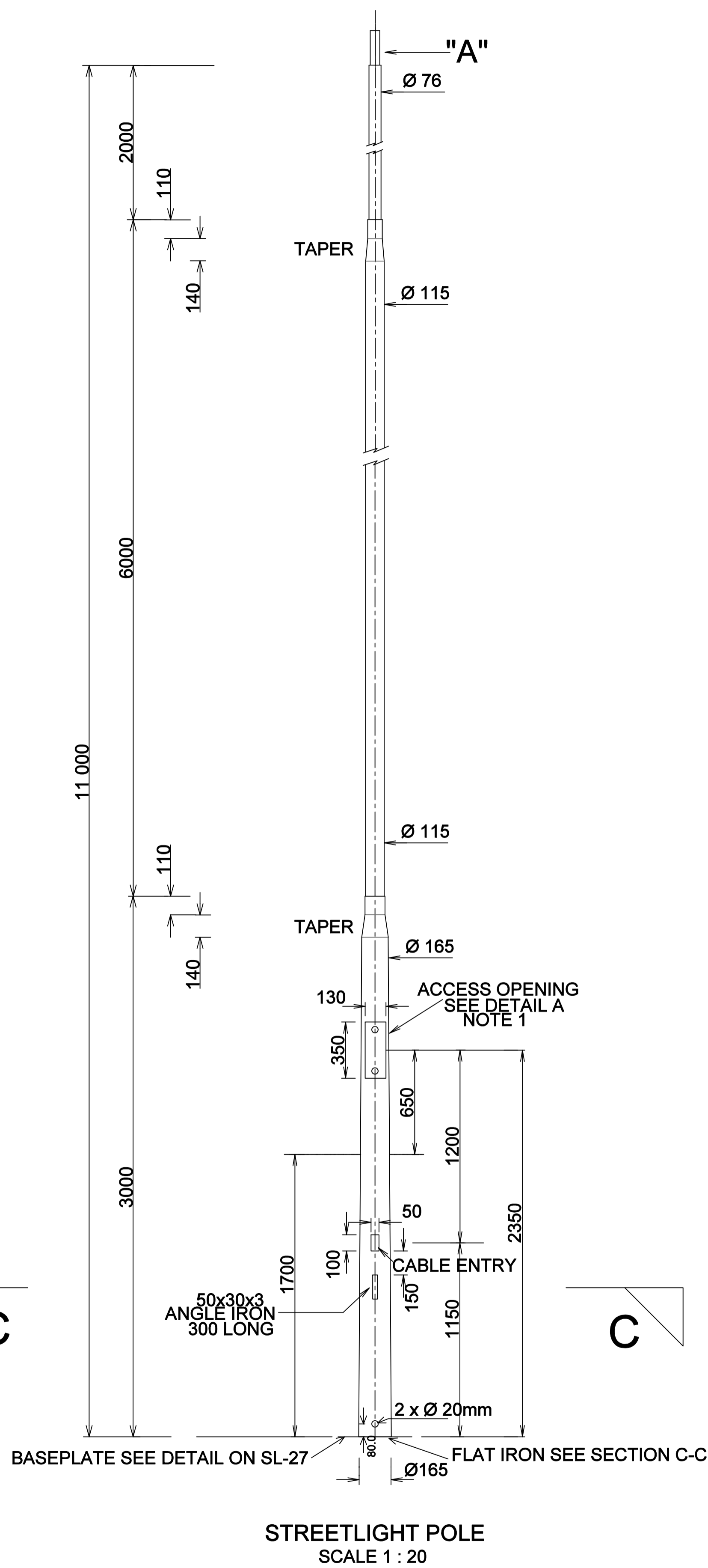


NOTE:
POLE TUBE THICKNESS TO BE DETERMINED BY STRUCTURAL ENGINEER
AS PER LATEST REVISIONS OF THE C.O.C.T. SPECIFICATIONS

No	AMENDMENTS	DATE	DRAWN:	DESIGN:	CHECKED:	DRAWING NO.:
7	DRAWING AMENDED	18-01-2006	M.C. V.D. MERWE	F. DOWNING		10m STREETLIGHT POLE (LIGHT DUTY) SL 1
8	DRAWING AMENDED	24-02-2006				
9	DRAWING AMENDED	18-04-2006				
10	DRAWING AMENDED	21-10-2016				
11	DRAWING AMENDED	08-11-2019				
12	SACRIFICIAL FLANGE DETAIL ADDED TO DRAWING	14-08-2023				

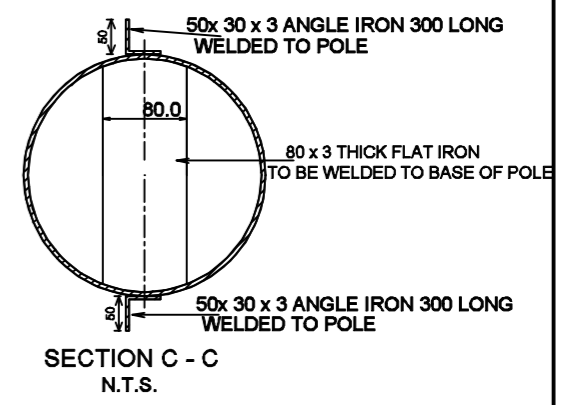
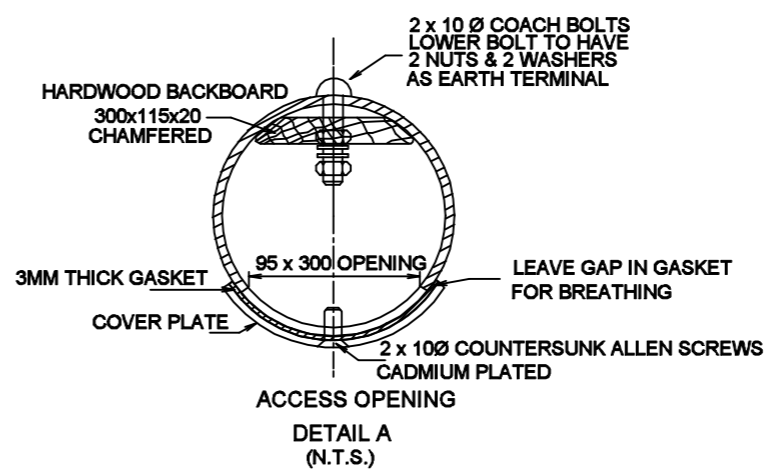
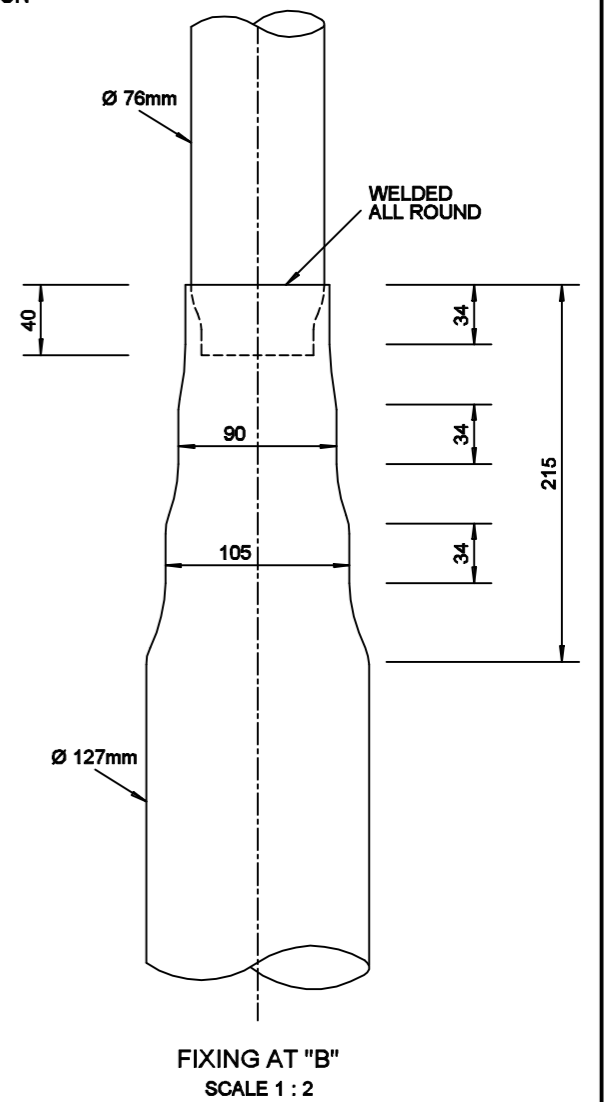
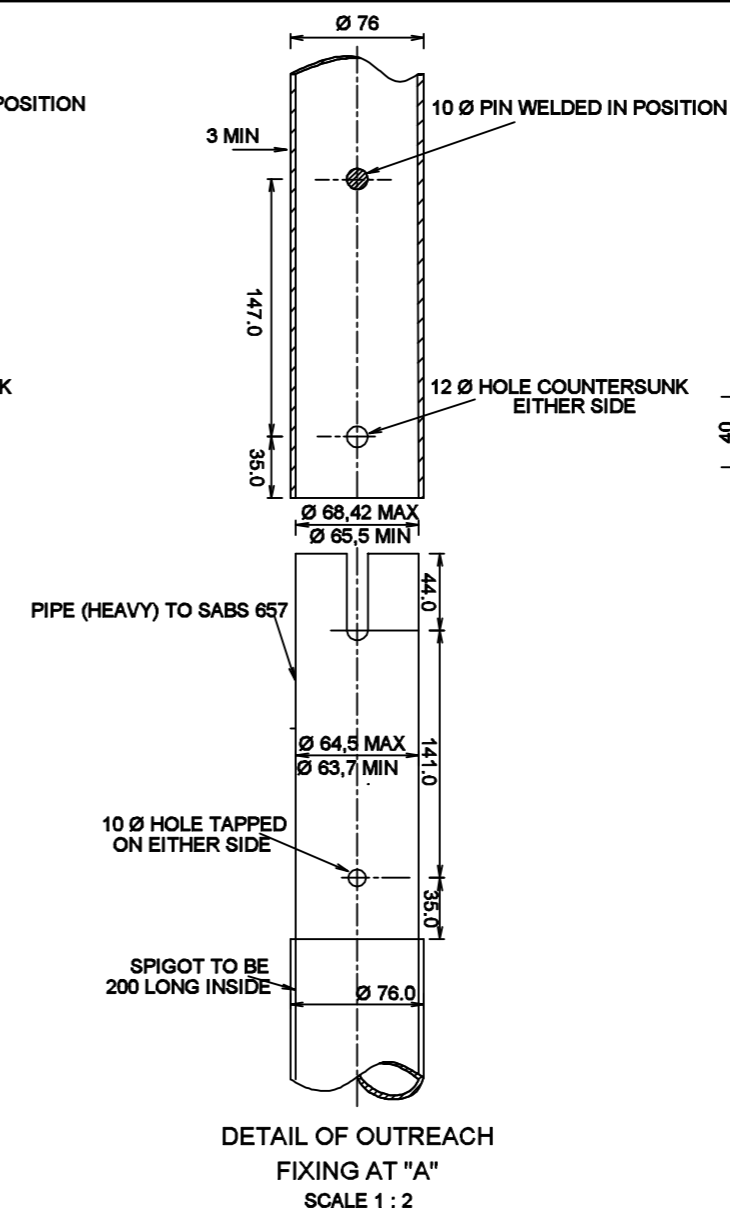
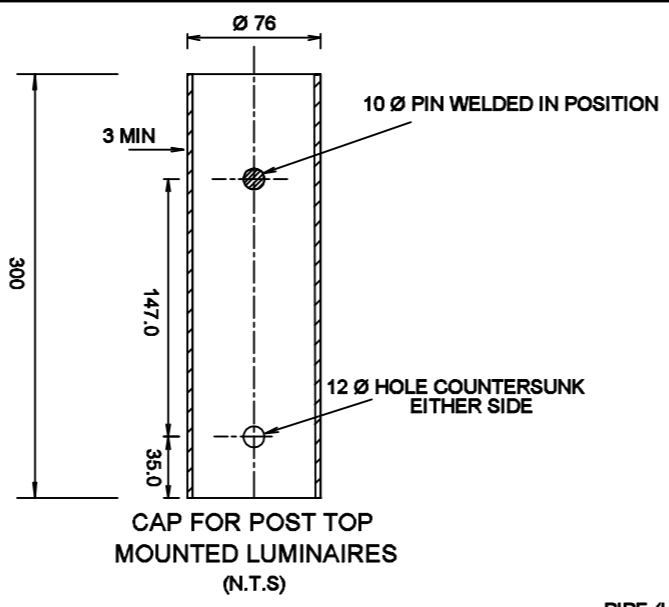
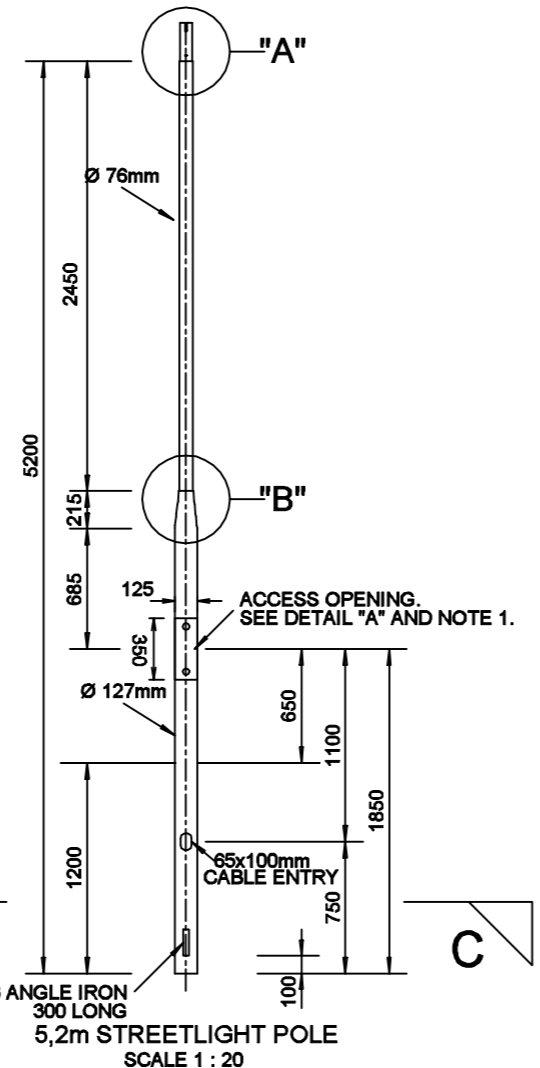
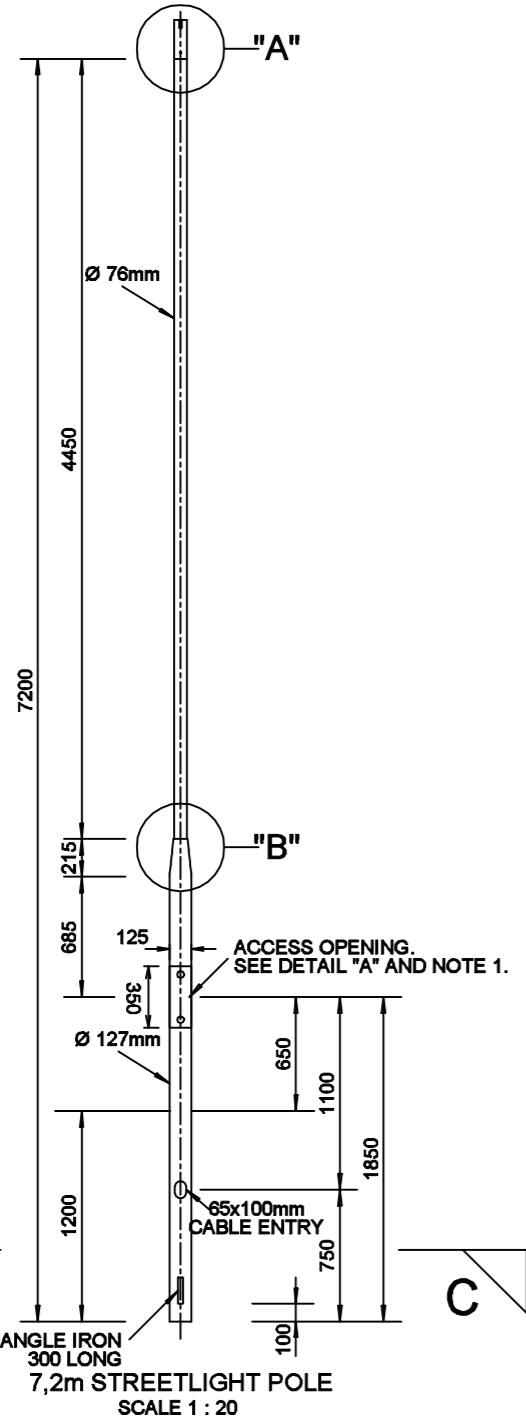


NOTE:
POLE TUBE THICKNESS TO BE DETERMINED BY STRUCTURAL ENGINEER
AS PER LATEST REVISIONS OF THE C.O.C.T. SPECIFICATIONS

AMENDMENTS		DATE	DRAWN:	DESIGN:	CHECKED:	DRAWING NO.:
3	DRAWING AMENDED	24-02-2008	M.C. V.D. NERWE	F. DOWNING		SL 11
4	DRAWING AMENDED	13-04-2008				
5	ACCESS OPENING MEASUREMENT CHANGED.	15-09-2015				
6	DRAWING AMENDED	21-10-2016				
7	DRAWING AMENDED	09-11-2019				
8	SACRIFICIAL FLANGE DETAIL ADDED TO DRAWING	14-08-2023				
			ENGINEER:	DATE:	SCALE:	
				29-01-97	AS SHOWN	

11m STREETLIGHT POLE (LIGHT DUTY)

CITY OF CAPE TOWN
ELECTRICITY



NO	AMENDMENTS	DATE
1	5,2m STREETLIGHT POLE ADDED	13-08-2008
2	CAP FOR POST STOP MOUNTED LUMINAIRE ADDED	29-08-2008
3	DRAWING AMENDED	09-11-2019

CITY OF CAPE TOWN
ELECTRICITY

DRAWN: G.WILLIAMS	DESIGN: F.DOWNING	CHECKED:
ENGINEER:	DATE: 12-04-2008	SCALE: AS SHOWN

5,2m & 7,2m STREETLIGHT POLE

DRAWING NO.:
SL 37